

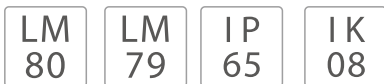


Urban Lighting
Emotion Series

2020



KTSL5801



The manufacturer reserves all rights to make changes in the materials and components used in its products. All data is subject to change without prior notice. The tolerance for all the given data is 10%.

Product Description:

- Emotion series luminaire is the ideal solution that fulfils requirements of functional street lighting and residential areas, which working with outstanding heat dissipation and compacting system. Equipped with high-quality electrical components, long lifetime is assured. Efficient system reduce energy consumption and create a more attractive urban living environment and visual comforts for public and residential areas.
- With patented housing design and range of optics, Emotion series luminaire is also a perfect choice for project oriented usage.

Features:

- Excellent thermal management
- High-quality components
- Elegant, Compact, high-pressure die-cast housing to ensure mechanical strength and good thermal performance
- Low weight
- Wide choice of optics for increased application efficiency
- Available in three sizes

Application:

- Highway roads
- Streets
- Parking lots
- Residential areas



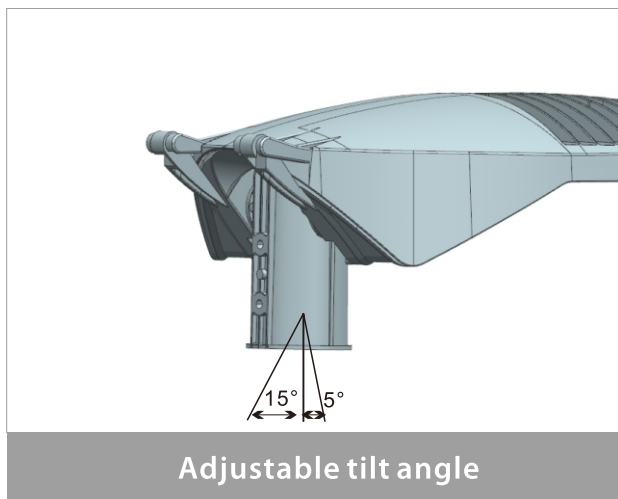
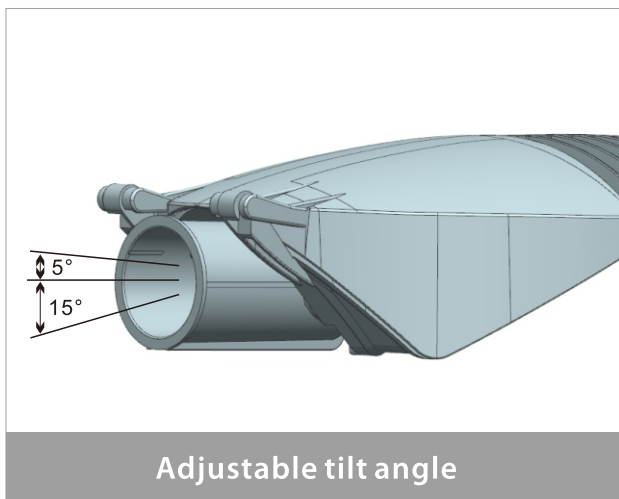
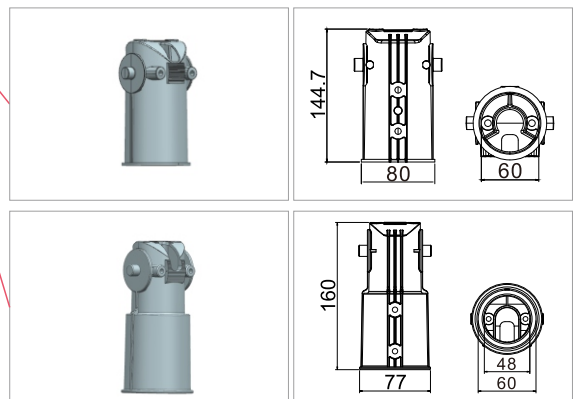
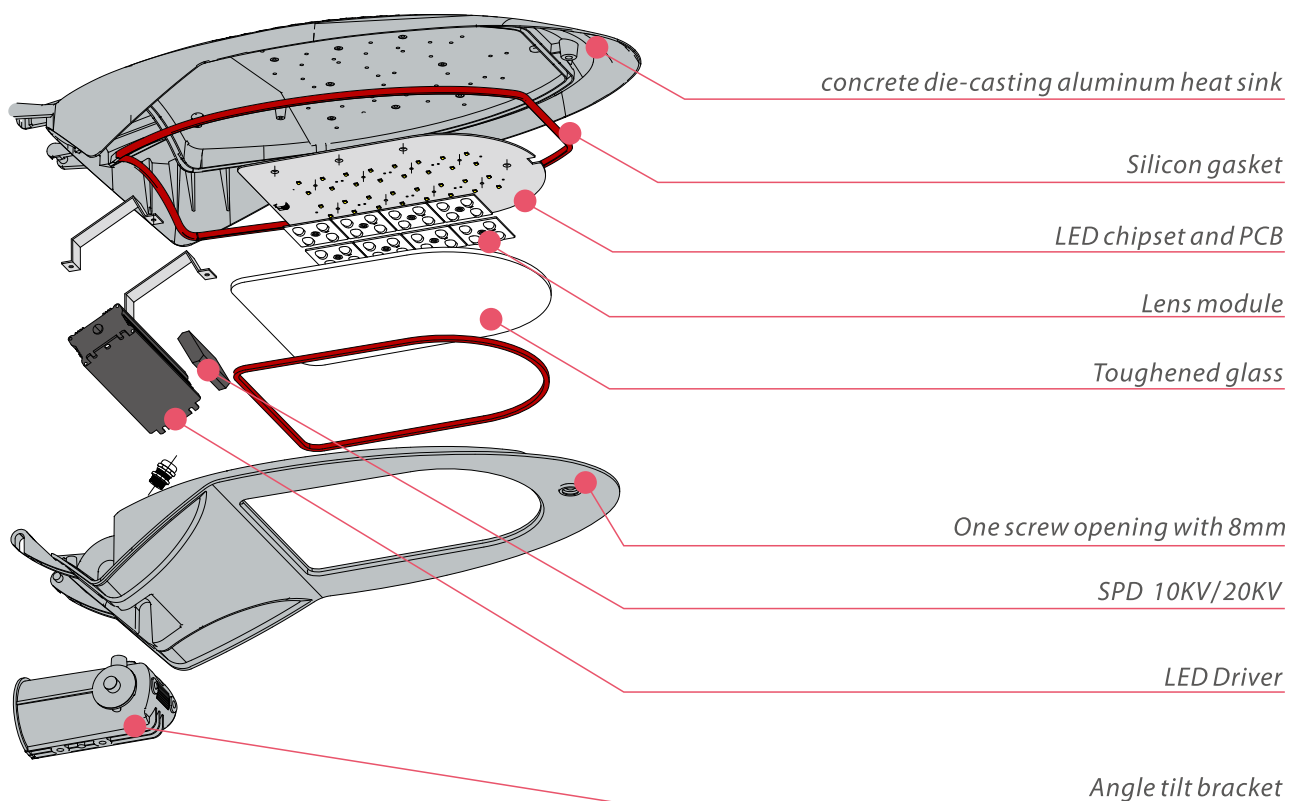
Specifications:

KTSL5801



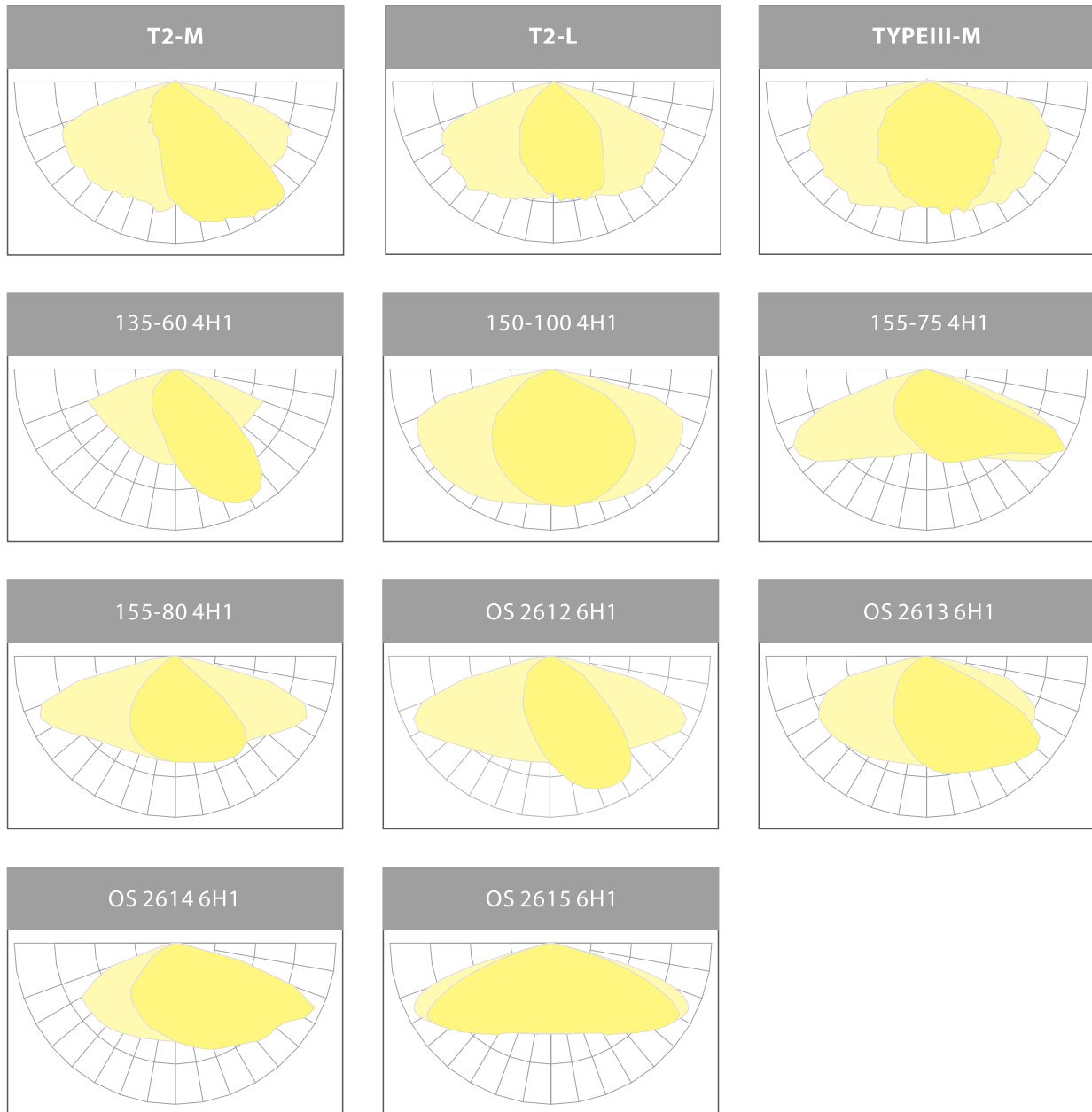
Model	KTSL5801S(Small version) KTSL5801M(Medium version) KTSL5801L(Large version)
Light source	Integral LED Module
Power	20W/30W/40W/50W/60W/80W 100W/120W/160W/180W (Other power upon request)
Luminaire flux	2200-5500Lm(Small version) 6500-11000Lm(Medium version) 13000-19800Lm(Large version)
Luminaire efficacy	110-130lm/W
CCT	4000K (3000K/5000K/5700K upon request)
CRI	> 70 > 80(upon request)
Lifetime	100,000 hours at 25°C ambient temperature
Operating temperature range	-30 to 45°C
Driver	Meanwell (Inventronics optional) Other brand of driver(upon request)
Electrical	Class I or Class II Input voltage: 90-305VAC/50-60Hz, 170-305VAC/50-60Hz 10KV/20KV SPD
Dimming	Dali 1-10V PWM AstroDIM for autonomous dimming with five independent levels Smart control management system
Options	Photocell Surge protection device (up to 20KV) 0.5m External cable(Other length upon request) Smart control device Motion detection
Materials	Housing: ADC12 die-cast aluminum Cover: Toughened glass Screws: 304 stainless screws
Color	Grey/ Black/ white
Tightness level	IP65
Impact Resistance	IK08
Standards & Certifications	CE CB GS IEC ROHS LM80 LM79 All measurements in TUV sud Laboratory

Luminaire explosion diagram

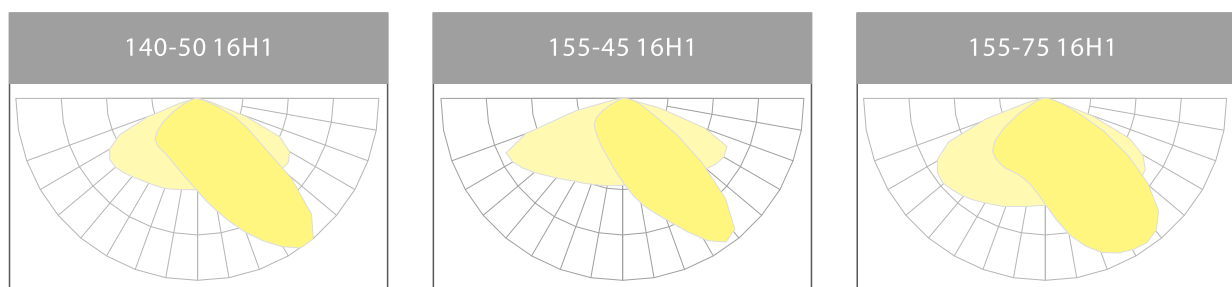


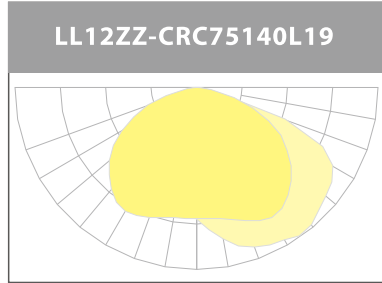
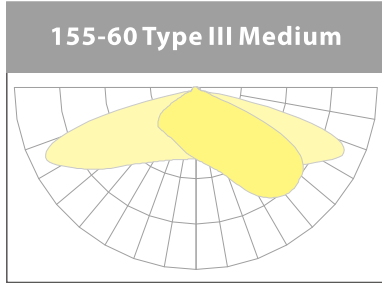
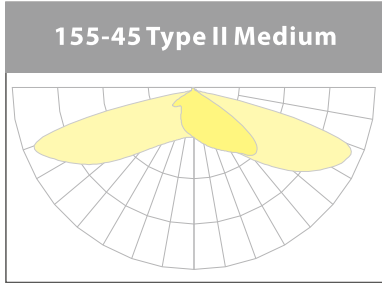
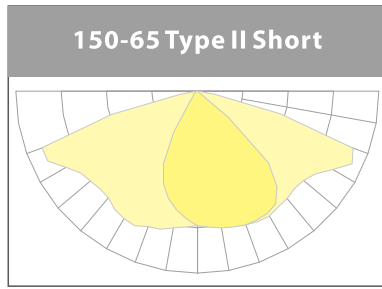
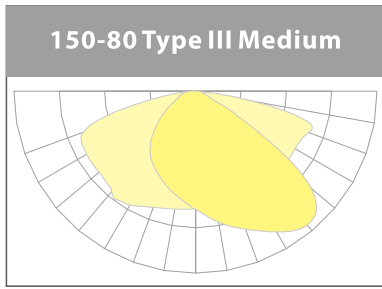
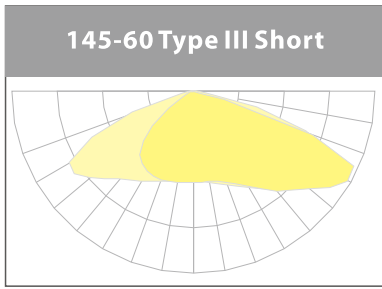
Luminous Intensity Distribution Diagram (customized upon demanding)

Option 1: with 5050 LED package, basically the Emotion could offer 11 standard light distribution curves as following

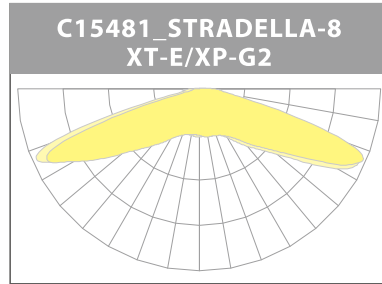
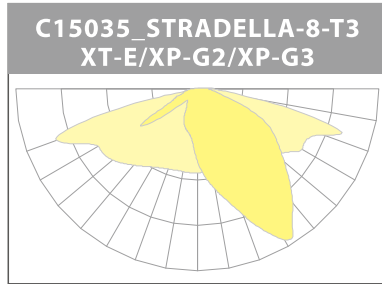
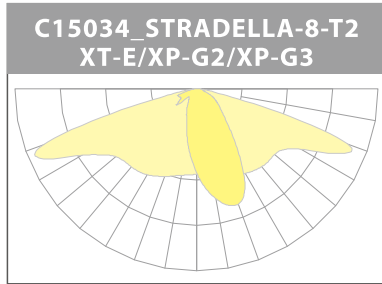
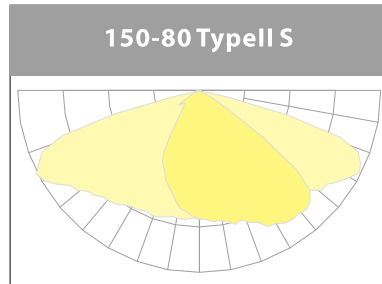
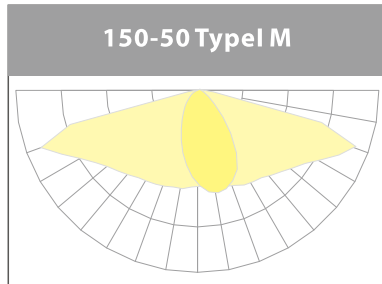
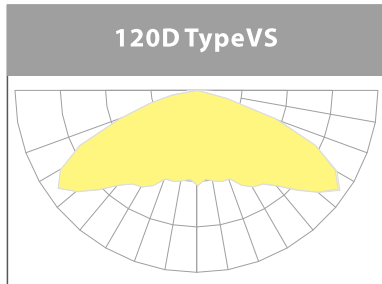


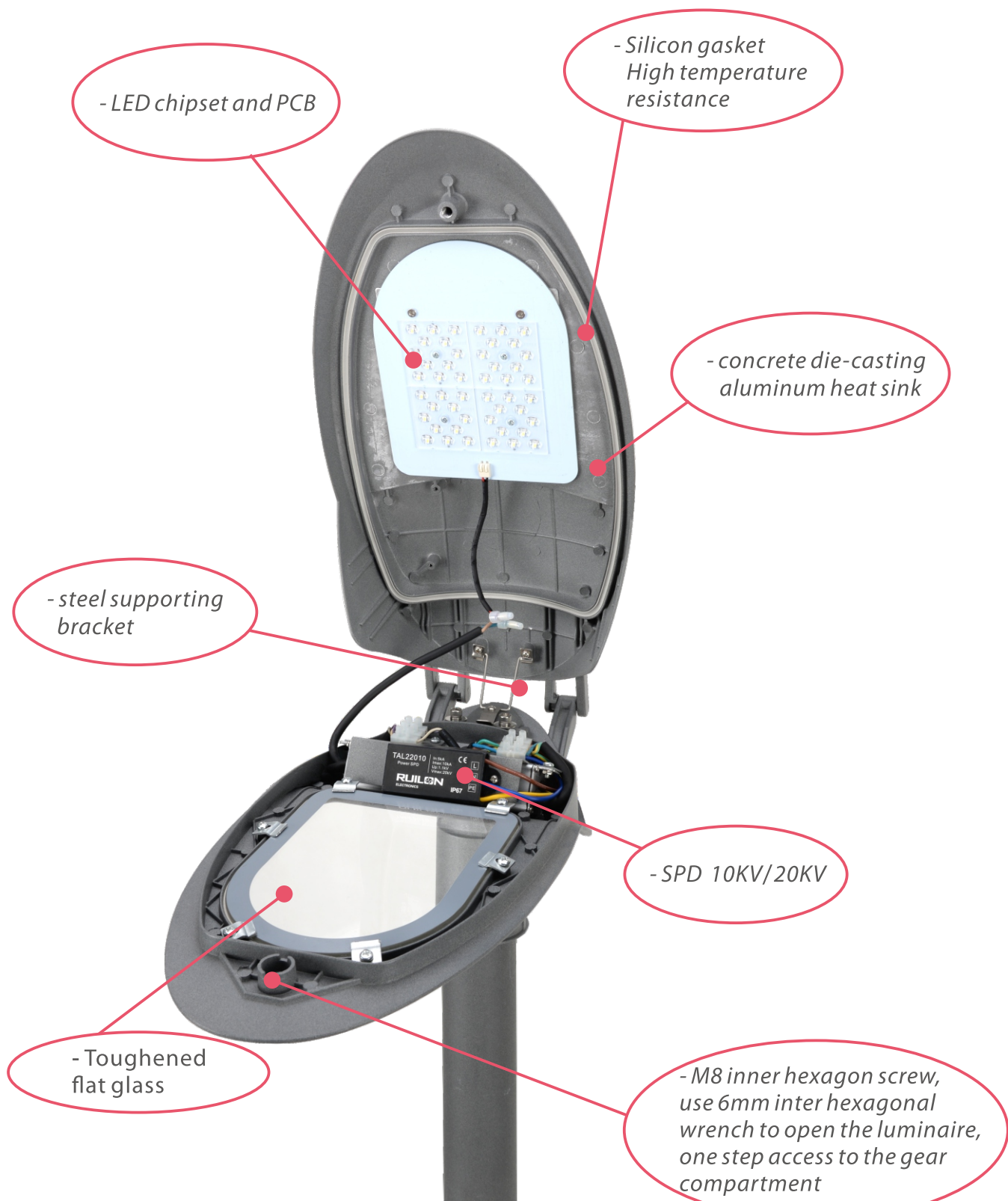
Option 2: with 3030 LED package, basically the Emotion could offer 9 standard light distribution curves as following



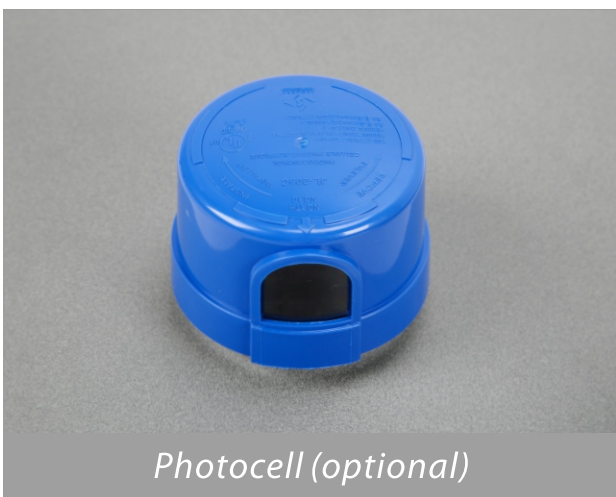
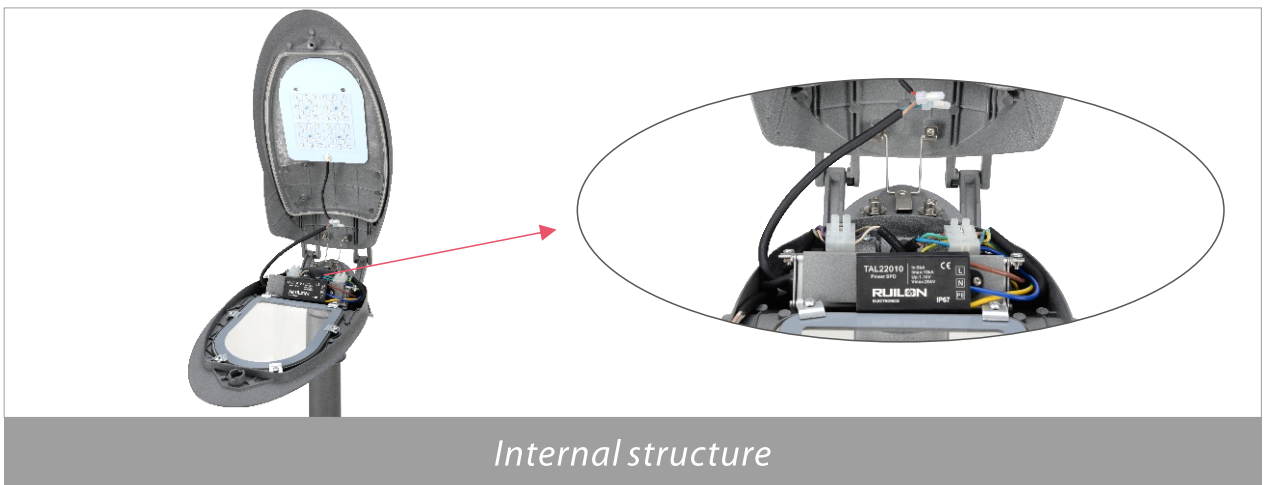


Option 3: with 3535 LED package, basically the Emotion could offer 6 standard light distribution curves as following



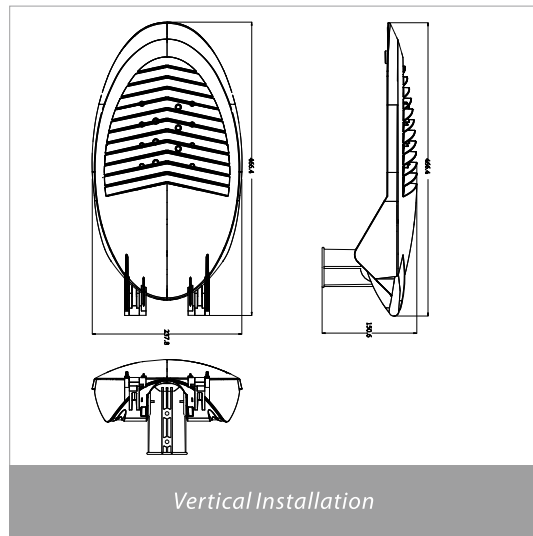
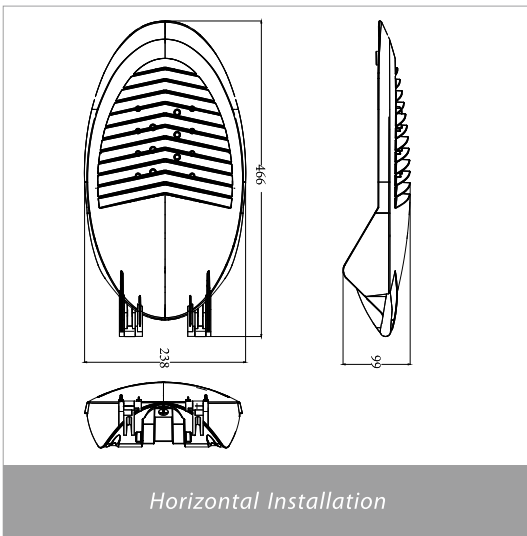


Pictures:

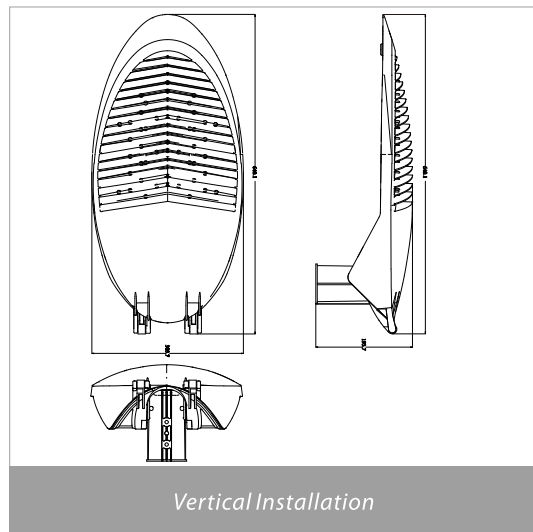
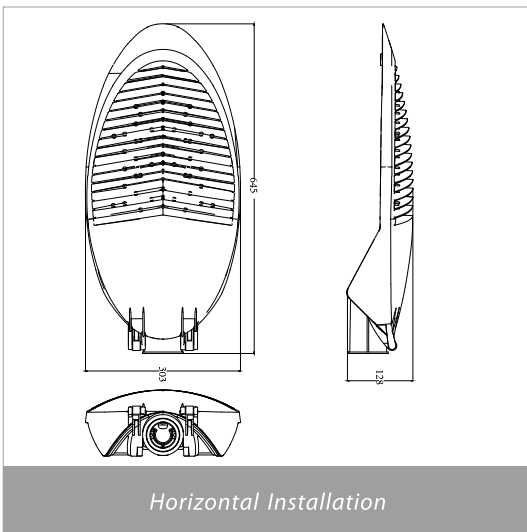


Product size:

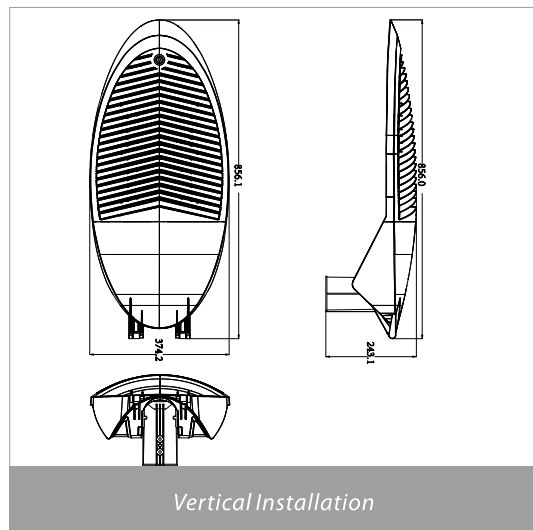
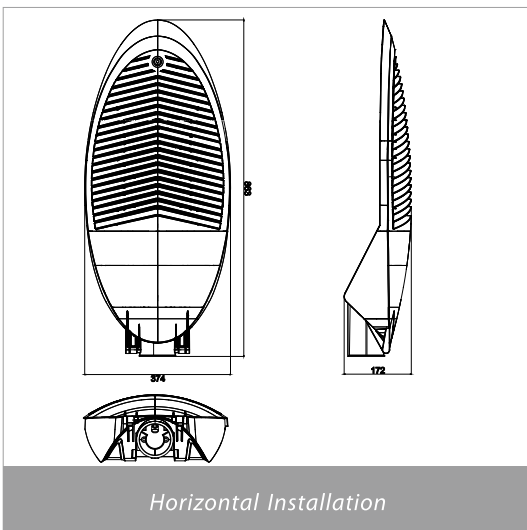
KTSL5801S



KTSL5801M



KTSL5801L



Installation:

- The Emotion luminaire can either be post-top or side-entry mounted.
- The Emotion luminaires are fitted with an adjustable inclination system to facilitate photometric adjustments on-site for optimal photometric performance.
- 3 installation pipe diameters are available, 48mm,60mm and 76mm.
- Please look at the following information to finish installation.

Installation Way:



Packaging:

Model	Carton Size(mm)	N.W.(Kg)	G.W.(Kg)
KTSL5801S	515x265x150	2.4	3.6
KTSL5801M	700x350x165	5.2	6.3
KTSL5801L	915x420x190	9.5	11.2



Warranty:

- 5 years limited warranty is standard on luminaire and components.

Project Cases:



